

**EU DECLARATION OF CONFORMITY**
DECLARACIÓN UE DE CONFORMIDAD

The company / *La Empresa:*

BASOR ELECTRIC, S.A.

Address / *Dirección:*

Av. Alcodar, 45-47, 46700. Gandía (VLC), Spain.

Declares that the product:

Declara que el producto:

BASORTUB RE1250 RLH

Installed in accordance to the installation standards, manufacturer's instructions and professional rules, duly maintained and used for the applications as intended.

Instalado de acuerdo con las normas de instalación, instrucciones del fabricante y conforme a las reglas profesionales, debidamente mantenido y utilizado en las aplicaciones para las que está previsto.

Complies with the essential requirements of the Council Directives:

Cumple con los requisitos esenciales de las Directivas del Consejo:

2014/35/UE (Low Voltage Directive) / (Directiva de Baja Tensión)

Incorporated in the Spanish Legislation in: R.D. 187/2016.

Incorporado en la Legislación Española en: R.D. 187/2016.

And it is suitable and safe for the intended use and it is in conformity with the following standard:

Es adecuado y seguro para el uso a que está destinado y es conforme con la siguiente norma:

UNE EN 61386-1

UNE EN 61386-21

Additional information:

Información adicional:

This product is intended to be installed and maintained by skilled persons, it may be used by ordinary persons only as a replacement part, to substitute for an identical device.

Este producto está previsto para ser instalado y mantenido por un profesional, puede ser usado por una persona no formada para reemplazamiento de uno idéntico.

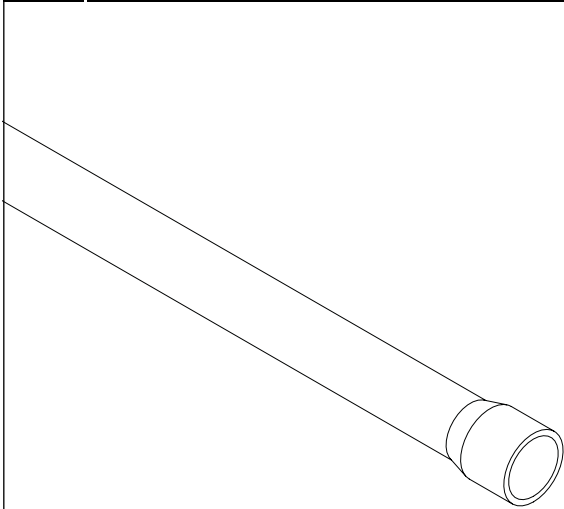
Place and date:

Lugar y fecha:

Gandía May 2016

Gandía Mayo 2016

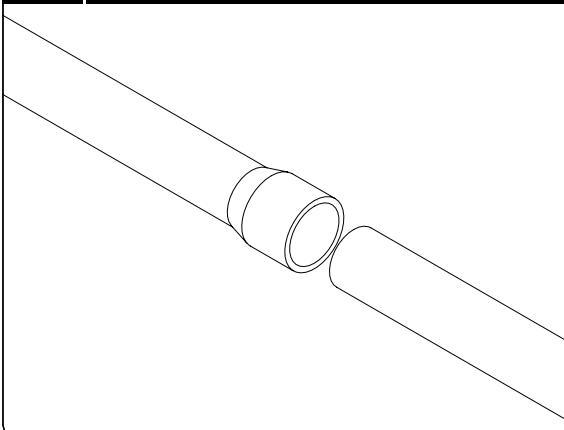
Technical department / *Departamento Técnico*

**RE1250 RLH****Models:**

16, 20, 25, 32, 40, 50, 63

Material: RLH7035**Characteristics:**

- IEC 61386 Code: 4322 1254 4010
- Rigid plastic tube. Halogen free
- Compressive strength: 1250N
- Impact strength: 2J
- Electrical insulating component
- Minimum temperature of -5 °C
- Maximum temperature of 90 °C
- Dielectric strength >2000V
- Insulation strength >100MΩ
- Non-flame propagating component
- Protection against outside influences: IP54
- V0 acc. to UL94
- Glow wire UNE-EN 60695-2-12 960°
- Comply with RoHS, 2011/65/CE
- Resistant to UV radiation. Excellent behaviour in outdoor installation.

INSTRUCTIONS FOR USE

- To assembly two straight sections one Union Joint JUR is needed.
- Installation for electrical systems should NOT run under other types of canalizations such as water, vapour or gas canalizations.
- This product is suitable to be bended on-# eld. To bend it use heat and an internal spring.

Accessories:

Horizontal Bend CP90, Union Joint JUR, Flex Bend CFR, Racor MCR, Support SPR, ABR clamp.